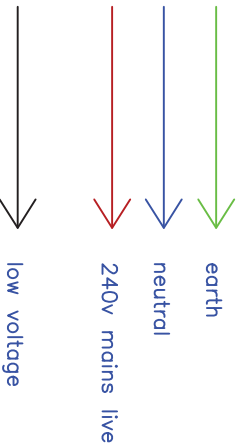
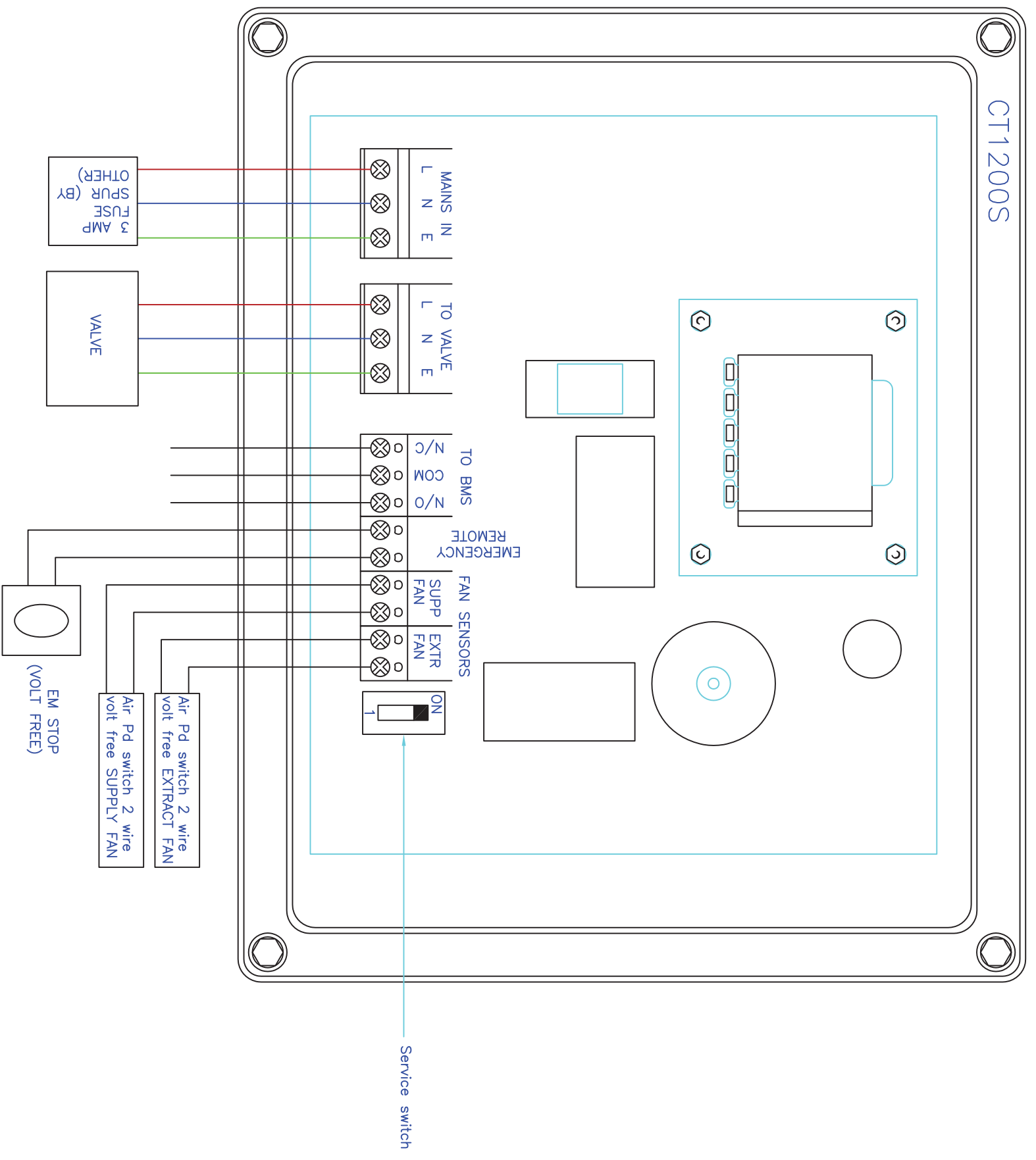


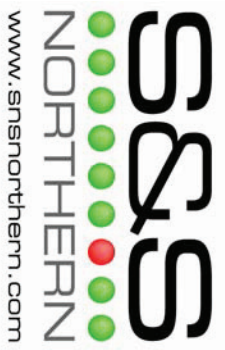
NOTES:
NO VOLTAGE ABOVE 24V SHOULD BE PUT INTO THE NC TERMINALS



Rev.	Drawn	Chkd.	Appr'd.	Date	Description
1	C	C	C	C	PRELIMINARY

Project: SNS
NORTHERN

Drawing Title: CT1200S
DIAGRAM



Scale (at A1): NOT TO SCALE
Date: 11/11
Drawn: SJB

Job no.: JOB-DWG-NO
Rev. no.: -